



TAJ Planetarium Seat LS-16601

Designed with comfort, safety and durability firmly in mind, **Taj LS-16601** will help deliver a magical “outer-space” experience for your visitors, allowing them to immerse themselves in the stars.

Taj allows a very broad angle of recline to enable visitors to easily view the full planetarium dome above them in absolute comfort. The glide mechanism provides a superior seating and viewing position. There is also a headrest for ergonomic support of both the head and neck while viewing upwards.

FEATURES



Back

- One-piece, injection moulded, high impact polypropylene outer back for ease of maintenance.
- Smooth glide mechanism provides greatest relaxation possible
- Maximum back recline degree: 135 degree
- Foam density: $(45-60) \pm 5\text{kg/m}^3$
- Foam hardness: $35^\circ \pm 5^\circ$



Seat

- PP seat shell, fixed in down position
- Ergonomic seat cushion design ensures maximum comfort
- Foam density: $(45-60) \pm 5\text{kg/m}^3$
- Foam hardness: $50^\circ \pm 5^\circ$

FEATURES

Arm

- PP cupholder arm with deluxe upholstered padding
- Retractable armrest creates instant lover-seat setup

End panel & Leg

- Full upholstered end panel
- Steel leg, powder coated



Other optional features

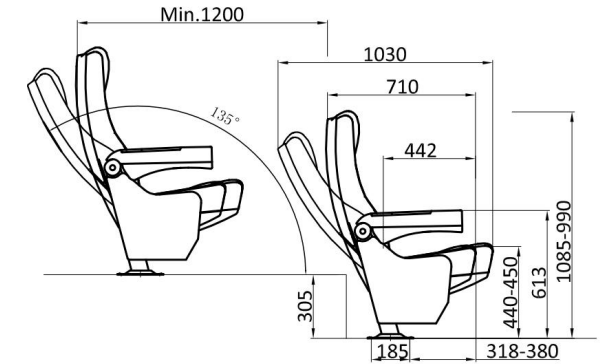
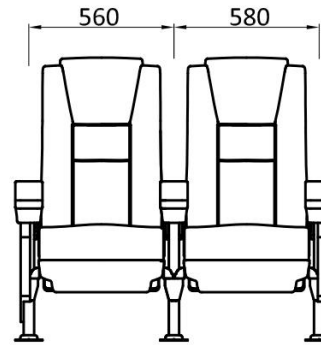
- Seat number and row letter
- LED aisle light
- Embroidery logo or numbering
- CA117/BS5852 fire-retardant finish on foam or upholstery



Seat number

Row letter

Embroidery logo
on headrest



Description	MM	INCH
C/C (arm center to center)	560/580	22/22.8
Overall depth before glide	710	28
Overall depth with full glide	1030	40.6
Inner seat depth	442	17.4
Floor to seat height	440-450	17.3-17.7
Floor to armrest height	613	24.1
Overall height before glide	1085	42.7
Overall height with full glide	990	39

Note: A tolerance of ± 10 mm (0.4") is allowed for the above dimension.



QUALITY CONTROL WE ALWAYS SEE THE BIG PICTURE. EVEN WITH THE SMALLEST COMPONENT



CALIFORNIA
PROPOSITION 65 WARNING
Diesel engine exhaust and some of its
components are known to the State
of California to cause cancer, birth defects,
and other reproductive harm.



This block contains a collage of various test reports and certificates. The reports are from different agencies including SGS, MTS, and others. They cover a wide range of testing services such as material testing, chemical analysis, and automotive component testing. Each report includes details like the client name, test date, and the specific standards or methods used. Some reports also feature photos of the tested items and signatures of the testing personnel.





Your New Seating Experience

LEADCOM CHINA



+0086 400 885 5535



info@leadcomseating.com



14/F, Yinhui Building, No. 117 Longyi Road, Tianhe District,
Guangzhou, Guangdong, China 510635



No. 10th, Section D, High-tech Industrial Zone, Leping Town, Sanshui District,
Foshan City, Guangdong Province, China 528100

LEADCOM CANADA



+1 289 813 2301



wtang@leadcomseating.com



2275 Upper Middle Rd. East, Suite 101, Oakville, ON L6H 0C3

LEADCOM EUROPE



+31 6260 84850



info@leadcomseating.nl



C. De Haasweg 30D, 3721 TK Bilthoven, The Netherlands