

Sony digital cinema projectors

XDC 2000 S

Digital Xenon Cinema S-type lamps are ideal for today's demanding 3D and 2D digital cinema presentations. There is a choice of three power ratings in the S-type Digital Cinema Xenon lamps range: 2000W, 3000W, or 4200W. These lamps produce the very high light output needed to maximize screen brightness and enhance the dramatic effect for the viewer. These long-life digital lamps also provide constant color temperature characteristics, and meet all of the stringent arc-stability requirements for consistent customer satisfaction. In addition to S-type Digital Cinema Xenon lamps there are B-, C-, N-, and TA-type Digital Cinema Xenon lamps. These are all individually customized per projector, so there is a different, perfect-fitting lamp for each projector model to ensure optimized projector performance.

Product data

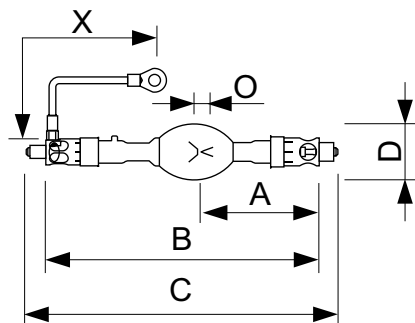
General Information	
Operating Position	P15 [Parallel +/-15D or Horizontal(HOR)]
Main Application	Cinema
Nominal Lifetime (Nom)	2400 h
Magnet	-

Operating and Electrical	
Power (Rated) (Nom)	2000 W
Lamp Current Span	60/95 A
Lamp Current (Nom)	80 A
Voltage (Nom)	25 V

Product Data	
Full product code	872790030132800
Order product name	XDC 2000 S
EAN/UPC - Product	8727900301328
Order code	928413406301
Numerator - Quantity Per Pack	1
Numerator - Packs per outer box	1
Material Nr. (12NC)	928413406301
Net Weight (Piece)	0.480 kg

Sony digital cinema projectors

Dimensional drawing



Product	O	D	X	B	C	A
---------	---	---	---	---	---	---

LTIX XDC 2000 S

