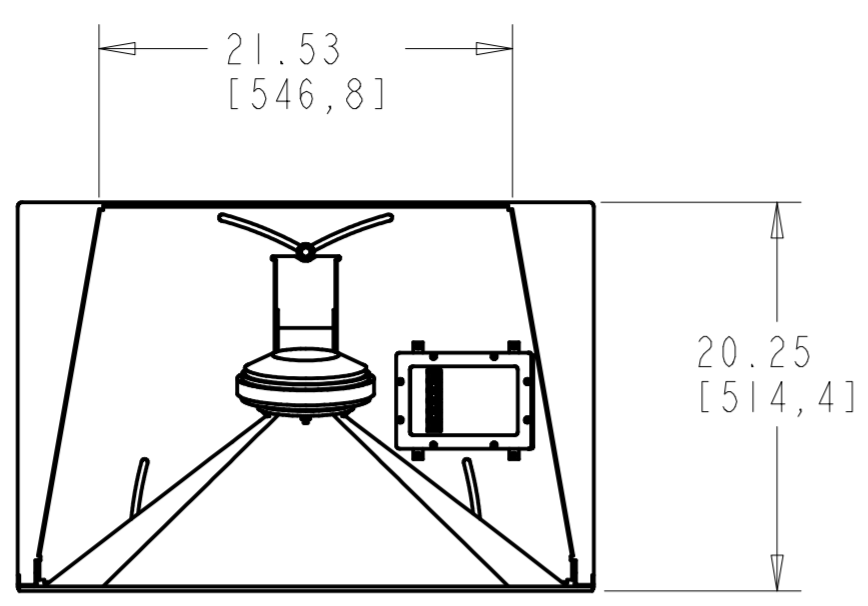
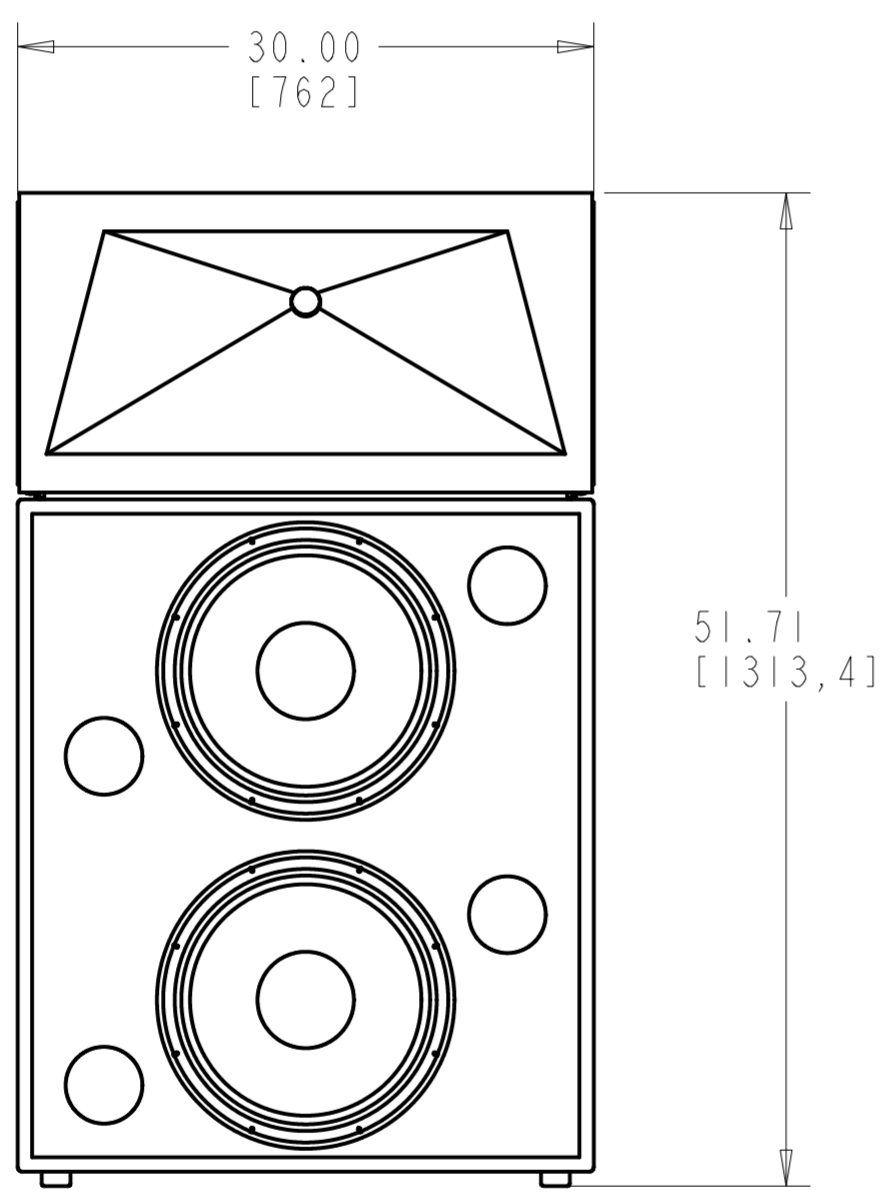


THIS DOCUMENT CONTAINS PROPRIETARY INFORMATION AND IS THE PROPERTY OF QSC AUDIO PRODUCTS. IT MAY NOT BE DISCLOSED, REPRODUCED OR USED WITHOUT EXPRESS WRITTEN CONSENT FROM QSC AUDIO PRODUCTS.

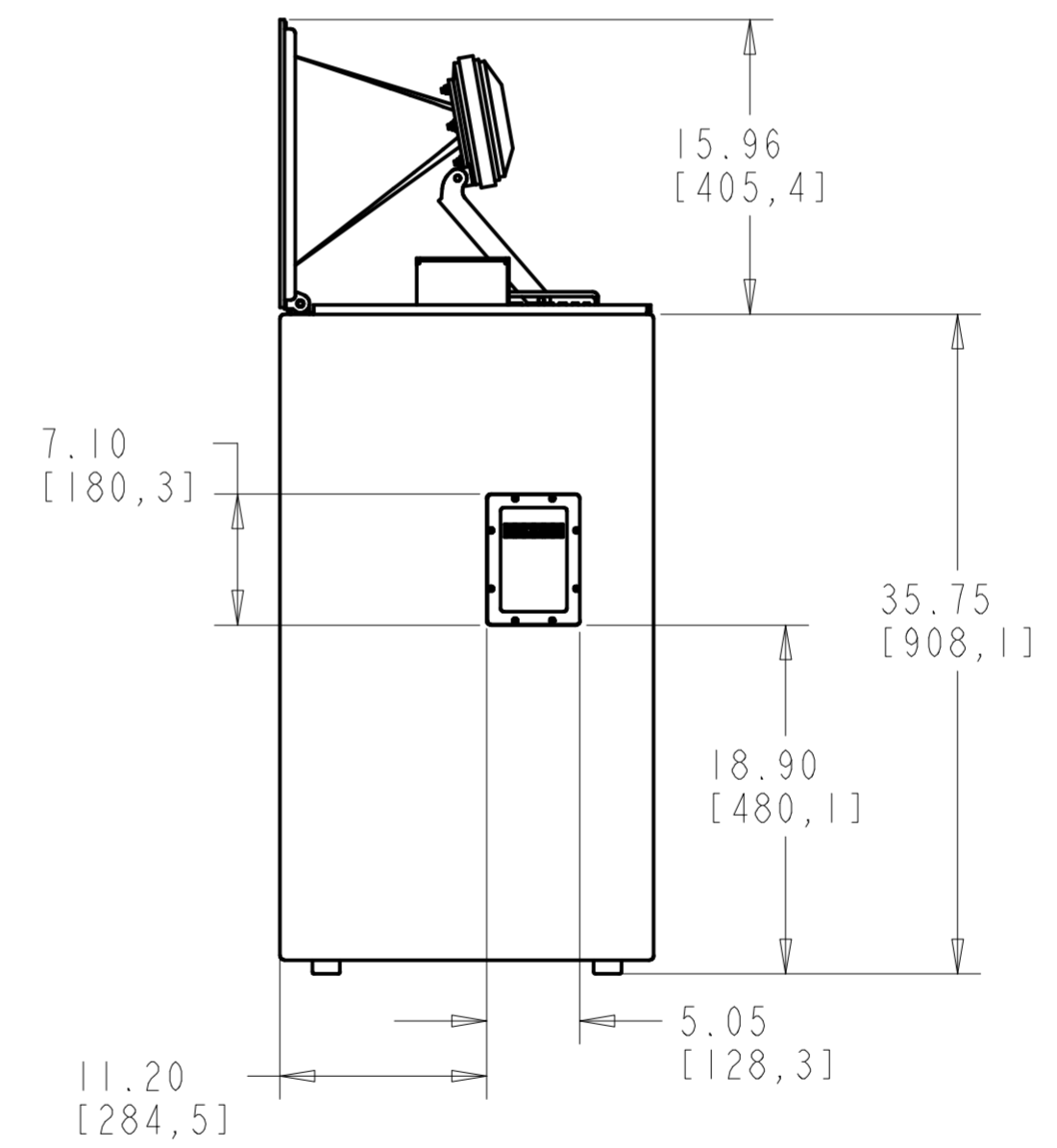
REVISIONS				
REV	DESCRIPTION	EFF DATE	CHK	APPROVED DATE
A	RELEASE PER ECO 7347 JD	8-04-06		B.H.



TOP



FRONT



RIGHT

2. TOLERANCES (INCHES): .XX ± .13, ANGLES: ± 1°.
 1. NET WEIGHT APPROX. 212 LBS (96.4 KG).
 NOTE: UNLESS OTHERWISE SPECIFIED

UNLESS OTHERWISE SPECIFIED DIMENSIONS ARE IN INCHES. TOLERANCES ARE: DECIMALS DECIMALS ANGLES .XX ± .02 .XXX ± .010 ± 1/2 DEBURR EDGES .010 R MAX	CONTRACT NO.		QSC QSC AUDIO PRODUCTS, INC. 1675 MACARTHUR BOULEVARD COSTA MESA, CA 92626	
	APPROVALS			
	DRAWN		DATE	
	CHECKED		DATE	
MATERIAL		DATE		
FINISH		DATE		
DO NOT SCALE DRAWING		DCS_2X15_2-WAY.A.0		SIZE CAGE CODE DWG NO. REV C 00PW4 RD-000385-01 A
SCALE 0.100		RD-000385-01.A.6		SHEET 1 of 1

DWG NO. RD-000385-01
 SH A