

# Digital Cinema Xenon N-type lamps

## NEC digital cinema projectors

Digital Xenon Cinema N-type lamps are ideal for today's demanding 3D and 2D digital cinema presentations. They are especially designed for NEC projectors. There is a choice of three power ratings in the N-type Digital Cinema Xenon lamps range: 4000W, 4500W or 6000W. There is also a choice of three power ratings in the NH-type Digital Helios lamps range: 2000W, 300W, and 4200W. All these lamps produce the very high light output needed to maximize screen brightness and enhance the dramatic effect for the viewer. These long-life digital lamps also provide constant color temperature characteristics, and meet all of the stringent arc-stability requirements for consistent customer satisfaction. In addition to N-type Digital Cinema Xenon lamps there are B-, C-, S-, and TA-type Digital Cinema Xenon lamps. These are all individually customized per projector, so there is a different, perfect-fitting lamp for each projector model to ensure optimized projector performance.

### Benefits

- Increased brightness on the screen
- Optimum projector performance
- Constant color temperature
- High arc stability and long life

### Features

- Higher light output than standard lamps
- Customized by projector model
- Pure xenon fill gas
- Proprietary, advanced electrode design

### Application

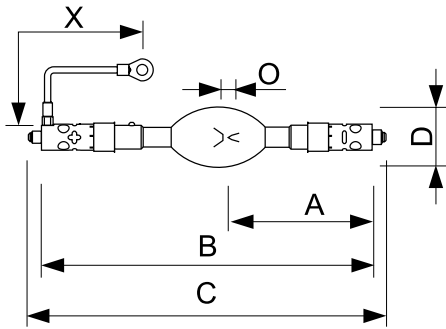
- Cinema projection

# NEC digital cinema projectors

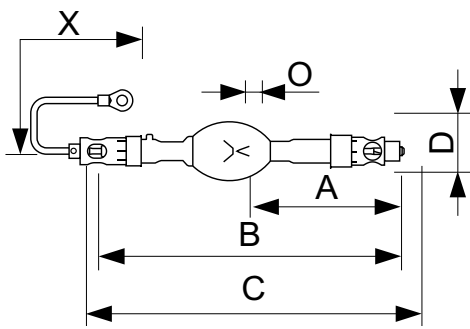
## Versions



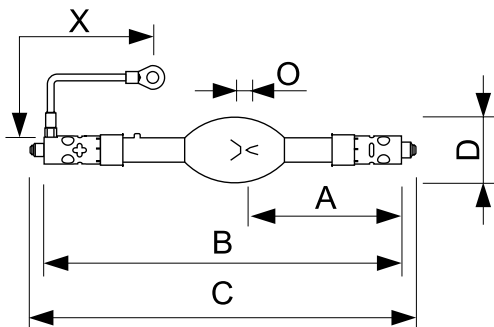
## Dimensional drawing



Product	O	D	X	B	C	A
XDC 7000N	7.8 mm	70 mm	220 mm	387 mm	425 mm	171.5 mm
XDC 6000 N	7.5 mm	70 mm	220 mm	387 mm	425 mm	171.5 mm



Product	O	D	X	B	C	A
XDC 3000NL	5.5 mm	60 mm	306 mm	306 mm	336 mm	144 mm
XDC 4001 N	6.8 mm	60 mm	160 mm	306 mm	336 mm	144 mm
XDC 4000 N	4.9 mm	60 mm	160 mm	306 mm	336 mm	144 mm



Product	O	D	X	B	C	A
XDC 4500 N	6.0 mm	70 mm	220 mm	387 mm	425 mm	171.5 mm

# NEC digital cinema projectors

## General Information

Main Application Cinema

## Operating and Electrical

order code	Lamp Current Span	Lamp Current	Voltage (Nom)	Power (Rated)
		(Nom)		(Nom)
928415406201	100/150 A	140 A	33 V	4500 W
928415506301	100/135 A	125 A	32 V	4001 W
928415406301	105/135 A	125 A	32 V	4000 W

order code	Lamp Current Span	Lamp Current	Voltage (Nom)	Power (Rated)
		(Nom)		(Nom)
928416806201	110/160 A	155 A	40 V	6000 W
928420006301	85/180 A	170 A	41 V	7000 W
928419606301	45-110 A	100 A	30 V	3000 W

## General Information

order code	Nominal Lifetime (Nom)	Operating Position
928415406201	900 h	P15
928415506301	1500 h	P15
928415406301	650 h	P15

order code	Nominal Lifetime (Nom)	Operating Position
928416806201	600 h	P15
928420006301	300 h	P15
928419606301	1700 h	P5

