

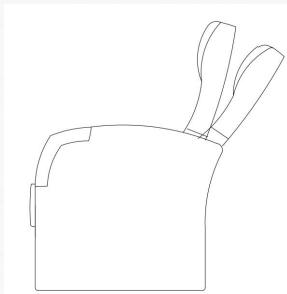


MORRIS VIP Glider

MORRIS VIP glider offers unparalleled comfort and style with beautifully tailored seat back and arm. Various upholstery options, seating accessories like row letter/seat number in the best quality are offered to complete your movie experience.

Features

Glider mechanism for optimal comfort



Under-seat easy cleaning



Optional PP foot



Cupholder options:



Plastic

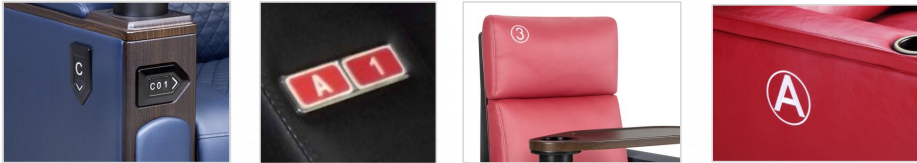


Plastic, waterfall designed

Options

Seat Number & Row Letter

- LED -lit
- Fluorescent
- * Embroidery logo on headrest or end arm available



Upholstery

- Full hydrolysis-resistant PU leather-5 years warranty, abrasion resistance test - 150,000 cycles
- Leather match upholstery (real leather + PU leather)
- Full top grain leather upholstery

LEADCOM SEATING chooses strictly the finest material to manufacture top quality cinema recliners. Here is the most popular leather colors for your choice:

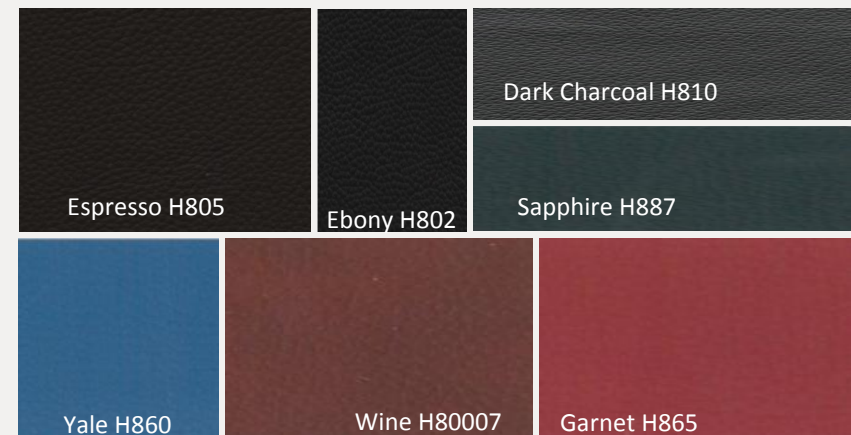
Available Real Leather Colors

MOQ of 200 seats required should the color chosen runs out of stock

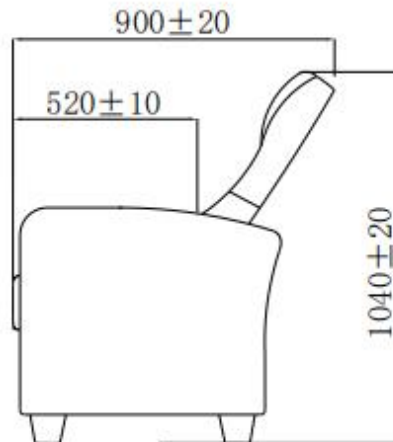
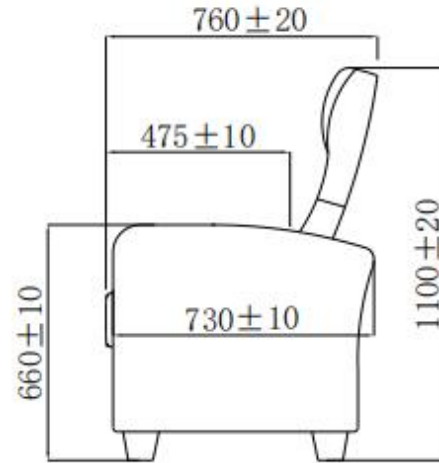
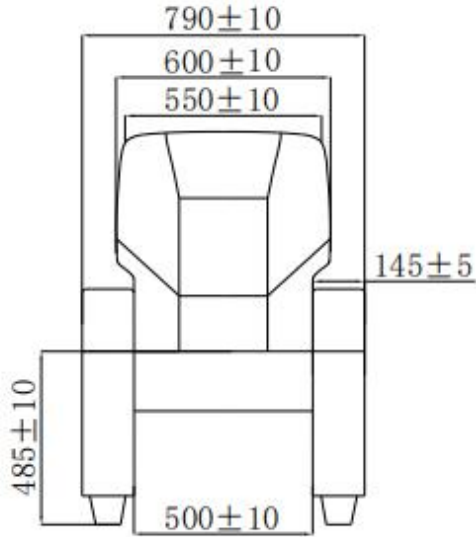


Available Hydrolysis-resistant PU Leather Colors

MOQ of 100 seats required should the color chosen runs out of stock



DIMENSIONS



Description	MM	INCH
Overall seat width	790 ± 20	31.1 ± 0.4
Inner seat width	500 ± 10	19.7 ± 0.4
Inner seat depth	475 ± 10	18.7 ± 0.4
Arm width	145 ± 5	5.7 ± 0.2
Arm depth	730 ± 10	28.7 ± 0.4
Floor to seat height	485 ± 10	19.1 ± 0.4
Floor to armrest height	660 ± 10	26 ± 0.4
Overall depth before glide	760 ± 20	29.9 ± 0.8
Overall depth after glide	900 ± 20	35.4 ± 0.8
Overall height before glide	1100 ± 20	43.3 ± 0.8
Overall height after glide	1040 ± 20	40.9 ± 0.8

QUALITY CONTROL

WE ALWAYS SEE THE BIG PICTURE. EVEN WITH THE SMALLEST COMPONENT



CALIFORNIA
PROPOSITION 65 WARNING
Diesel engine exhaust and some of its components are known to the State of California to cause cancer, birth defects, and other reproductive harm.



The collage displays several test reports from various agencies:

- SGS Test Reports:** Multiple reports for different materials and components, including "Cigarette Test (Lightness)", "Progressive Smouldering", and "Flammability". Each report includes test methods, results, and compliance status.
- TÜV Rheinland Report:** A report titled "01640873a_001" detailing mechanical and physical tests on a sample, including load force, temperature, and durability.
- Other Reports:** Various smaller reports and certificates, some with photos of the tested items, such as a "Crib 5" test and a "BS 5852" test.





LEADCOM

Your New Seating Experience

LEADCOM CHINA



+0086 400 885 5535



info@leadcomseating.com



14/F, Yinhui Building, No. 117 Longyi Road, Tianhe District,
Guangzhou, Guangdong, China 510635



No. 10th, Section D, High-tech Industrial Zone, Leping Town, Sanshui District,
Foshan City, Guangdong Province, China 528100

LEADCOM CANADA



+1 289 813 2301



wtang@leadcomseating.com



2275 Upper Middle Rd. East, Suite 101, Oakville, ON L6H 0C3

LEADCOM EUROPE



+31 6260 84850



info@leadcomseating.nl



C. De Haasweg 30D, 3721 TK Bilthoven, The Netherlands