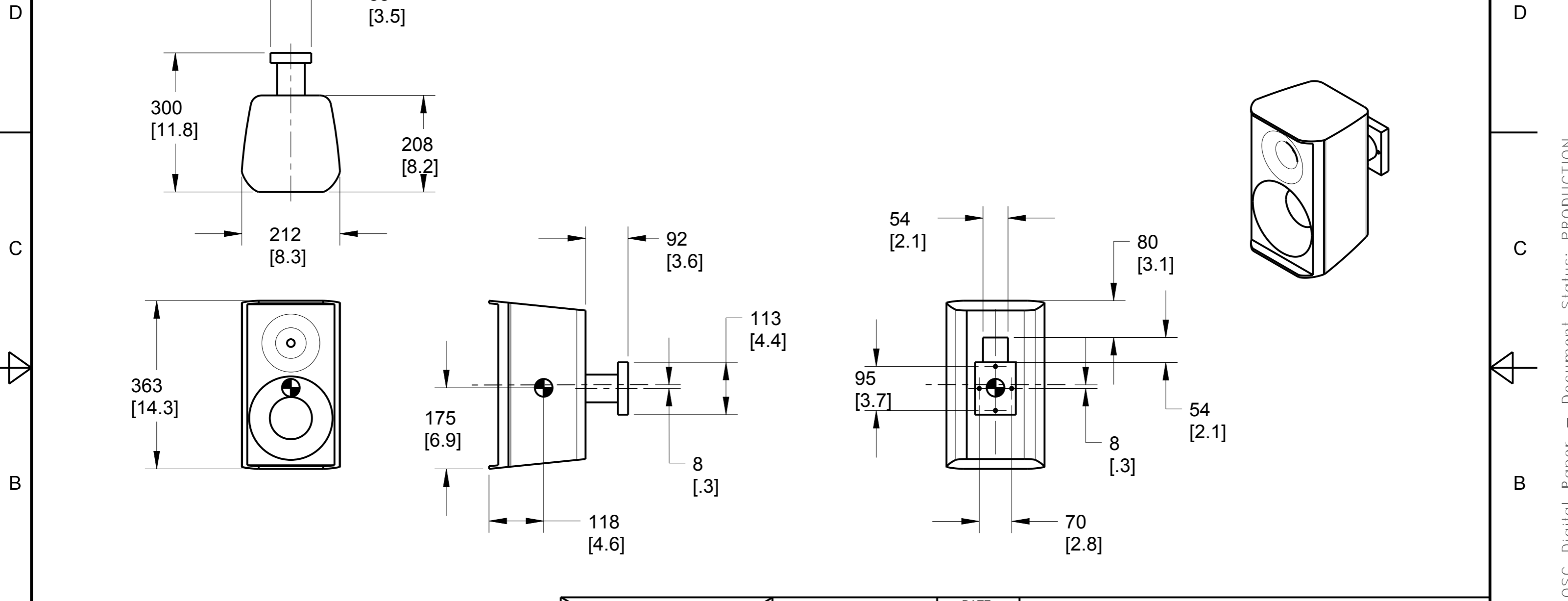


THIS DOCUMENT CONTAINS PROPRIETARY INFORMATION WHICH IS THE PROPERTY OF QSC AUDIO PRODUCTS, THAT MAY NOT BE DISCLOSED, REPRODUCED OR USED WITHOUT EXPRESS WRITTEN CONSENT FROM QSC AUDIO PRODUCTS.

REVISIONS					
REV	ECO	DESCRIPTION	BY	EFF DATE	ISSUED
A	-	RELEASE FOR SALES AND MARKETING	VU	08-MAY-14	DD



- 4. PARTS ARE SYMMETRICAL ABOUT CENTER LINES UNLESS OTHERWISE NOTED.
 - 3. SYMBOL ⊕ INDICATES CENTER OF BALANCE.
 - 2. TOLERANCES (MM): $X \pm 5$, ANGLES: $\pm 1^\circ$.
 - 1. NET WEIGHT APPROX 6.12 KG (13.5 LBS)
- NOTE: UNLESS OTHERWISE SPECIFIED

<p>UNLESS OTHERWISE SPECIFIED DIMENSIONS IN MILLIMETERS [IN]</p> <p>TOLERANCES ARE:</p> <p>DECIMALS DECIMALS ANGLES $.X \pm .5 [0.2]$ $.XX \pm .25 [0.10]$ $\pm 1/2$</p> <p>DEBURR EDGES .25 [.010] R MAX</p> <p>MATERIAL</p> <p>FINISH</p>	APPROVALS	DATE (DD-MMM-YY)	QSC AUDIO PRODUCTS, LLC 1675 MACARTHUR BOULEVARD COSTA MESA, CA 92626		
	DRAWN V. VU	06-MAY-14			
	CHECKED -	-	<p>SPEAKER FINISHED, S6T</p>		
	MFG ENG N/A	-			
	QA CHECK N/A	-			
DRAWING INFO: FG-020006-2D.A.1	SIZE: B	CAGE CODE: 00PW4	DRAWING NO.: FG-020006-2D	REV: A	
MODEL INFO: FG-020012-3D.1.4	SCALE: 0.080	DO NOT SCALE DRAWING	SHEET	1 OF 1	