



Digital Cinema Xenon C-type lamps

Christie digital cinema projectors

Digital Xenon Cinema C-type lamps are ideal for today's demanding 3D and 2D digital cinema presentations. They are especially designed for Christie projectors. There is a choice of four power ratings in the C-type Digital Cinema Xenon lamps range: 2000W, 3000W, 4500W, or 6000W. There is also a choice of three power ratings in the CH-type Digital Helios lamps range: 2000W, 3000W, and 4200W power ratings. All these lamps produce the very high light output needed to maximize screen brightness and enhance the dramatic effect for the viewer. These long-life digital lamps also provide constant color temperature characteristics, and meet all of the stringent arc-stability requirements for consistent customer satisfaction. In addition to C-type Digital Cinema Xenon lamps there are B-, N-, S-, and TA-type Digital Cinema Xenon lamps. These are all individually customized per projector, so there is a different, perfect-fitting lamp for each projector model to ensure optimized projector performance.

Benefits

- Increased brightness on the screen
- Optimum projector performance
- Constant color temperature
- High arc stability and long life

Features

- Higher light output than standard lamps
- Customized by projector model
- Pure xenon fill gas
- Proprietary, advanced electrode design

Application

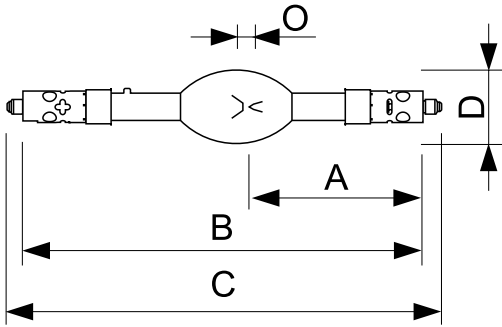
- Cinema projection

Christie digital cinema projectors

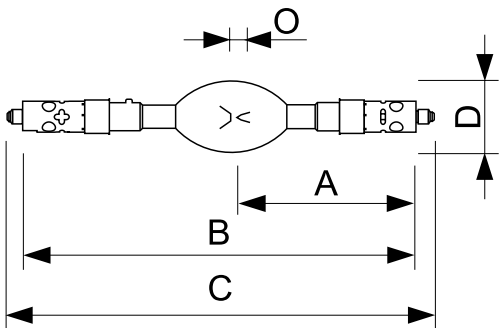
Versions



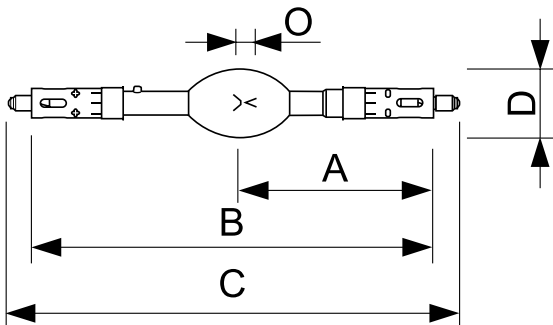
Dimensional drawing



Product	O	D	B	C	A
XDC 4500 C	6.0 mm	70 mm	381 mm	417 mm	165.5 mm



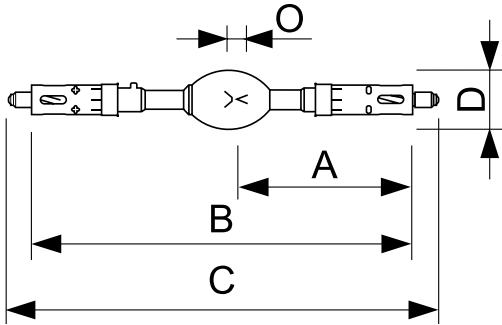
Product	O	D	B	C	A
XDC 6000 C	8.0 mm	70 mm	381 mm	417 mm	165.5 mm



Product	O	D	B	C	A
XDC 3000 C	5.5 mm	60 mm	350 mm	403 mm	161.5 mm

Christie digital cinema projectors

Dimensional drawing



Product	O	D	B	C	A
XDC 2000 C	4.4 mm	55 mm	350 mm	403 mm	161.5 mm

General Information

Main Application	Cinema
------------------	--------

Operating and Electrical

order code	Lamp Current Span	Lamp Current		Power (Rated)	
		(Nom)	Voltage (Nom)	(Nom)	(Nom)
928411706201	90/120 A	110 A	29 V	3000 W	
928413306301	50/90 A	80 A	25 V	2000 W	

order code	Lamp Current Span	Lamp Current		Power (Rated)	
		(Nom)	Voltage (Nom)	(Nom)	(Nom)
928415306201	120/160 A	140 A	33 V	4500 W	
928416706201	110/160 A	155 A	40 V	6000 W	

General Information

order code	Nominal Lifetime (Nom)	Operating Position
928411706201	1500 h	P20
928413306301	2400 h	P30

order code	Nominal Lifetime (Nom)	Operating Position
928415306201	1000 h	P20
928416706201	600 h	P20

