



FELIX

Felix incorporates the luxuriously smooth sliding mechanism provides a personalized and ultra-comfortable feel. Its complete recliner motion features seat and back extension for a variety of seating positions.

FEATURES



Back

- Full upholstered outerback
- Smooth glide mechanism provides greatest relaxation possible



Seat

- Full upholstered under-seat
- Ergonomic seat cushion design ensures maximum comfort
- Leaf spring tip-up seat mechanism ensures lifetime of smooth operation

FEATURES

Arm

- PP cupholder arm with deluxe upholstered padding
- Retractable armrest creates instant lower-seat setup

End panel & Leg

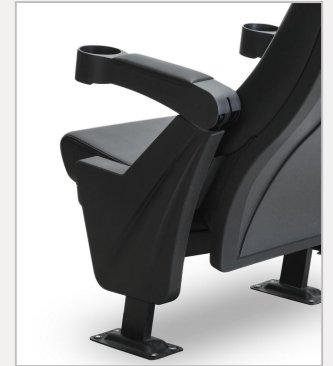
- Full upholstered end panel
- Steel leg, powder coated



Full upholstered end panel
type A (Standard)



Full upholstered end panel
type B (Optional)



High impact PP end panel
(Optional)

Other optional features

- Seat number and row letter
- LED aisle light
- Flip-up middle arm
- Embroidery logo or numbering
- CA117/BS5852 fire-retardant finish on foam or upholstery

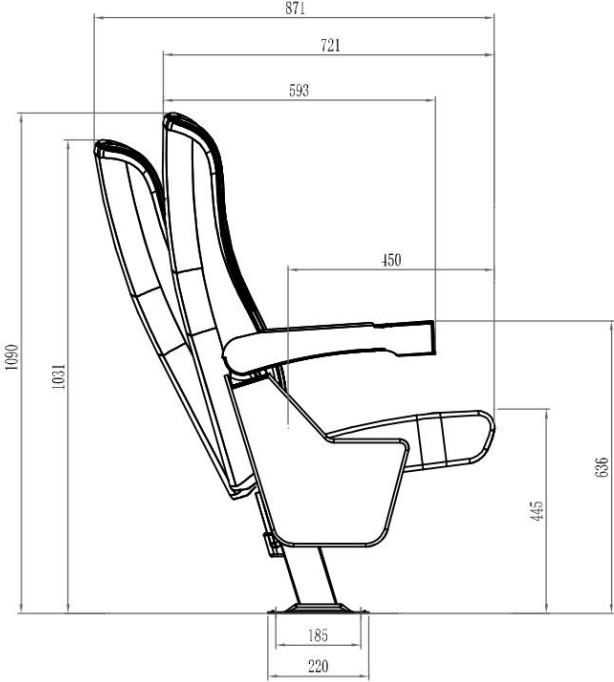
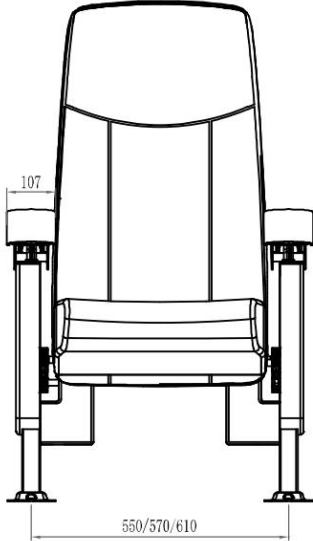


Row letter



Embroidery logo
on headrest

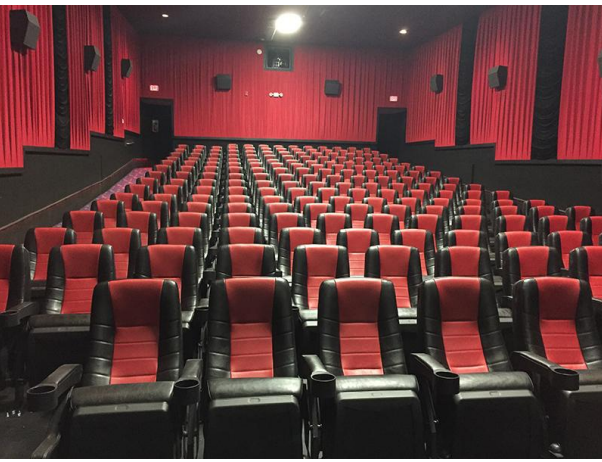
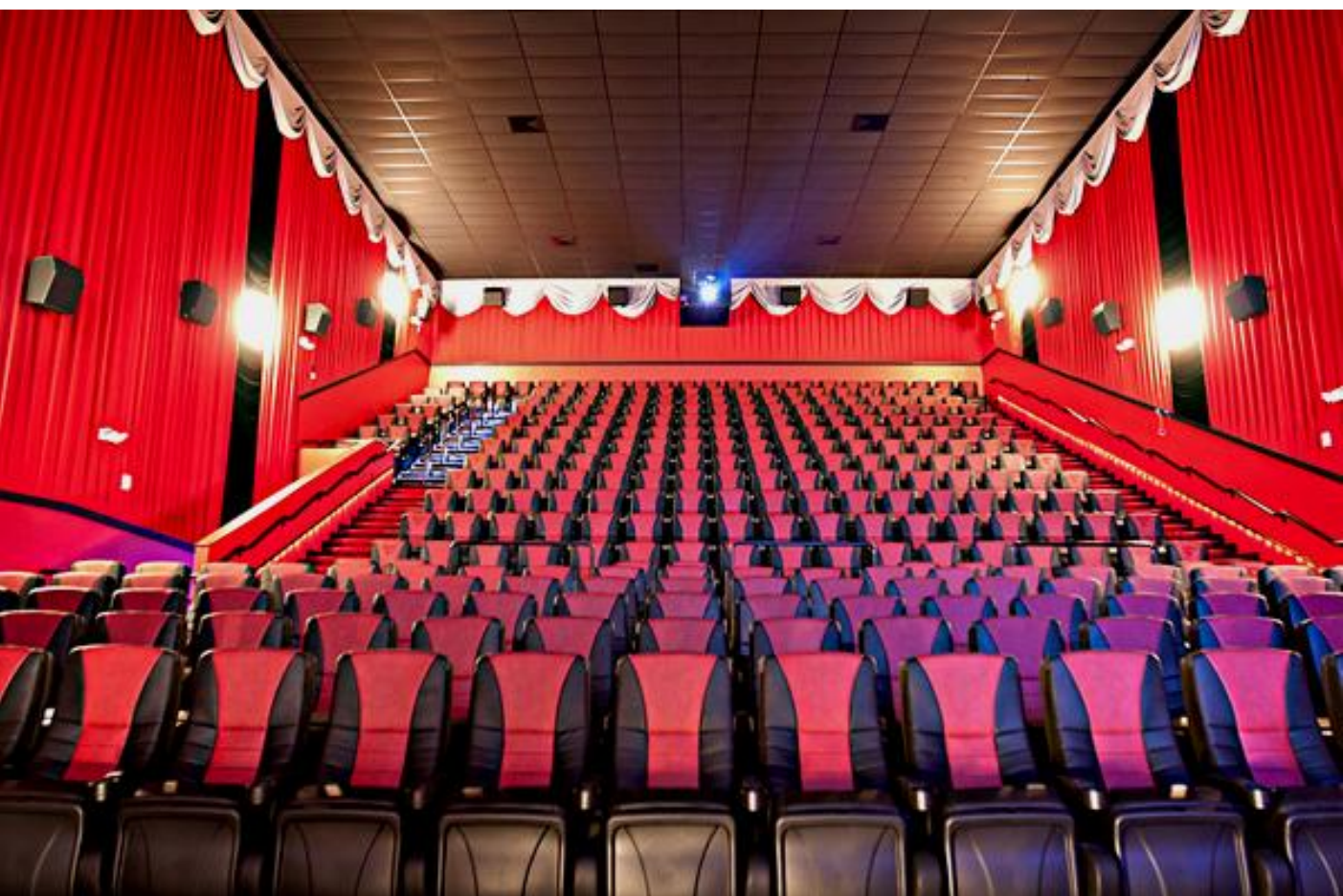
Felix Dimensions



Description	MM	INCH
C/C (arm center to center)	550/570/610	21.7/22.4/24
Overall depth before swing	721	28.4
Overall depth with full swing	871	34.3
Inner seat depth	450	17.7
Floor to seat height	445	17.5
Floor to armrest height	636	25
Overall height before swing	1090	42.9
Overall height with full swing	1031	40.6

Note:

- A tolerance of ± 10 mm (0.4") is allowed for the above dimension.
- As our products are constantly improved and innovated, we will issue a notice should there be any change.



QUALITY CONTROL WE ALWAYS SEE THE BIG PICTURE. EVEN WITH THE SMALLEST COMPONENT



CALIFORNIA
PROPOSITION 65 WARNING
Diesel engine exhaust and some of its
components are known to the State
of California to cause cancer, birth defects,
and other reproductive harm.



A collage of various test reports and certificates from SGS, MTS, and other testing agencies. The reports include details such as test dates, sample descriptions, and compliance status for various standards like ISO 9001, ISO 14001, and OHSAS 18001. Some reports feature QR codes and digital signatures.





Your New Seating Experience

LEADCOM CHINA



+0086 400 885 5535



info@leadcomseating.com



14/F, Yinhui Building, No. 117 Longyi Road, Tianhe District,
Guangzhou, Guangdong, China 510635



No. 10th, Section D, High-tech Industrial Zone, Leping Town, Sanshui District,
Foshan City, Guangdong Province, China 528100

LEADCOM CANADA



+1 289 813 2301



wtang@leadcomseating.com



2275 Upper Middle Rd. East, Suite 101, Oakville, ON L6H 0C3

LEADCOM EUROPE



+31 6260 84850



info@leadcomseating.nl



C. De Haasweg 30D, 3721 TK Bilthoven, The Netherlands