

NEC digital cinema projectors

XDC 4001 N

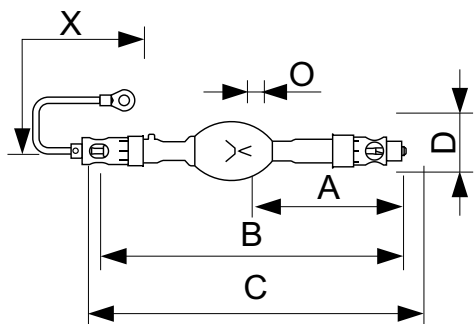
Digital Xenon Cinema N-type lamps are ideal for today's demanding 3D and 2D digital cinema presentations. They are especially designed for NEC projectors. There is a choice of three power ratings in the N-type Digital Cinema Xenon lamps range: 4000W, 4500W or 6000W. There is also a choice of three power ratings in the NH-type Digital Helios lamps range: 2000W, 300W, and 4200W. All these lamps produce the very high light output needed to maximize screen brightness and enhance the dramatic effect for the viewer. These long-life digital lamps also provide constant color temperature characteristics, and meet all of the stringent arc-stability requirements for consistent customer satisfaction. In addition to N-type Digital Cinema Xenon lamps there are B-, C-, S-, and TA-type Digital Cinema Xenon lamps. These are all individually customized per projector, so there is a different, perfect-fitting lamp for each projector model to ensure optimized projector performance.

Product data

General Information	
Operating Position	P15 [Parallel +/-15D or Horizontal(HOR)]
Main Application	Cinema
Nominal Lifetime (Nom)	1500 h
Magnet	required
Operating and Electrical	
Power (Rated) (Nom)	4001 W
Lamp Current Span	100/135 A
Lamp Current (Nom)	125 A
Ignition Peak Voltage (Max)	36000 V

Voltage (Nom)	32 V
Product Data	
Full product code	872790085641500
Order product name	XDC 4001 N
EAN/UPC - Product	8727900856415
Order code	928415506301
Numerator - Quantity Per Pack	1
Numerator - Packs per outer box	1
Material Nr. (12NC)	928415506301
Net Weight (Piece)	0.625 kg

Dimensional drawing



Product	O	D	X	B	C	A
XDC 4001 N	6.8 mm	60 mm	160 mm	306 mm	336 mm	144 mm

LTIX XDC 4001 N

