

Barco digital cinema projectors

XDC -1200B

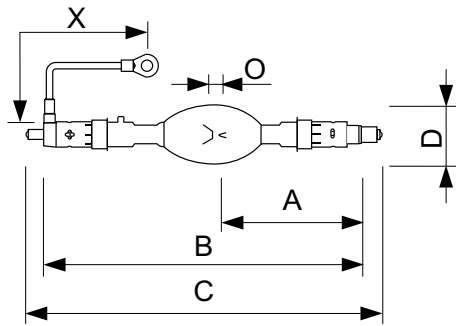
Digital Xenon Cinema B-type lamps are ideal for today's demanding 3D and 2D digital cinema presentations. They are especially designed for Barco projectors. There is a choice of three power ratings in the B-type Digital Xenon Cinema lamps range: 3000W, 4000W, or 6500W. There is also a choice of three power ratings in the BH-type Digital Helios lamps: 2000W, 3000W, and 4200W power ratings. All these lamps produce the very high light output needed to maximize screen brightness and enhance the dramatic effect for the viewer. These long-life digital lamps also provide constant color temperature characteristics, and meet all of the stringent arc-stability requirements for consistent customer satisfaction. In addition to B-type Digital Cinema Xenon lamps there are C-, N-, S-, and TA-type Digital Cinema Xenon lamps. These are all individually customized per projector, so there is a different, perfect-fitting lamp for each projector model to ensure optimized projector performance.

Product data

General Information	
Operating Position	P5 [Parallel +/-5D or Horizontal(HOR)]
Main Application	Cinema
Nominal Lifetime (Nom)	3000 h
Magnet	-
Operating and Electrical	
Power (Rated) (Nom)	1200 W
Lamp Current Span	50/70 A
Lamp Current (Nom)	60 A
Ignition Peak Voltage (Max)	40000 V

Voltage (Nom)	20 V
Product Data	
Full product code	871829176659900
Order product name	XDC -1200B
EAN/UPC - Product	8718291766599
Order code	928418506301
Numerator - Quantity Per Pack	1
Numerator - Packs per outer box	1
Material Nr. (12NC)	928418506301
Net Weight (Piece)	400.000 g

Dimensional drawing



Product	O	D	X	B	C	A
XDC -1200B	4.7 mm	46 mm	132 mm	294 mm	343 mm	123 mm

LTIX XDC 1200 B

