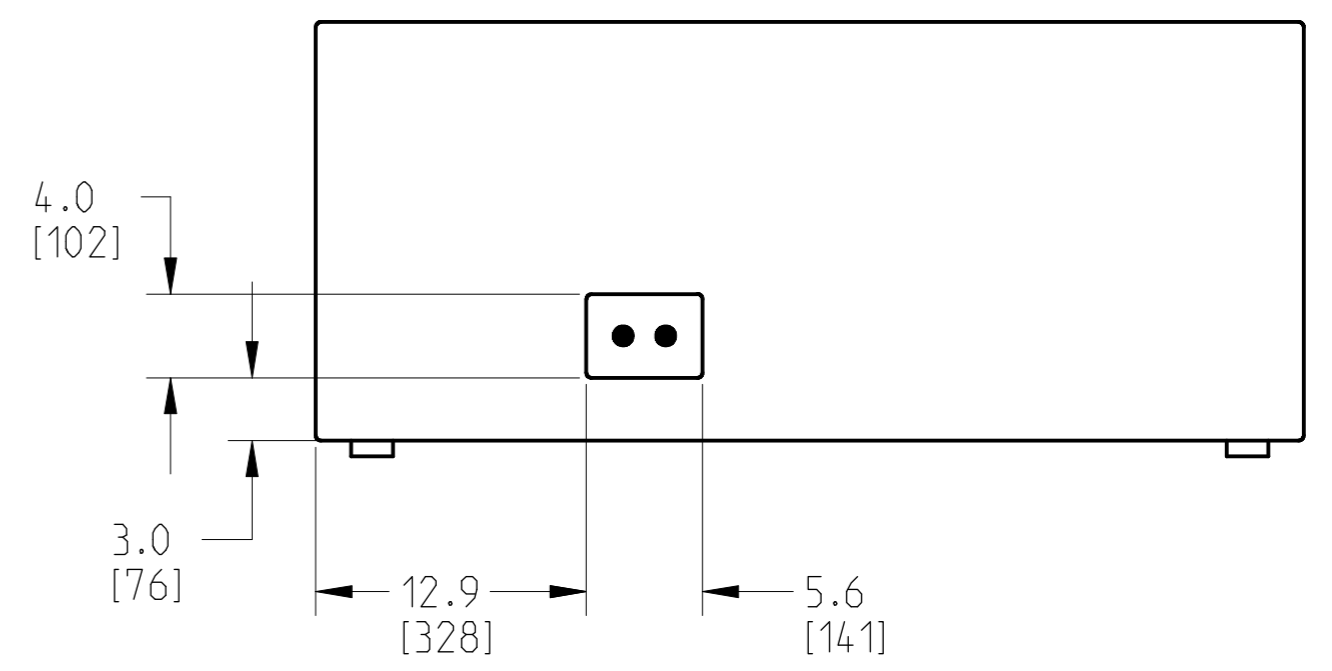
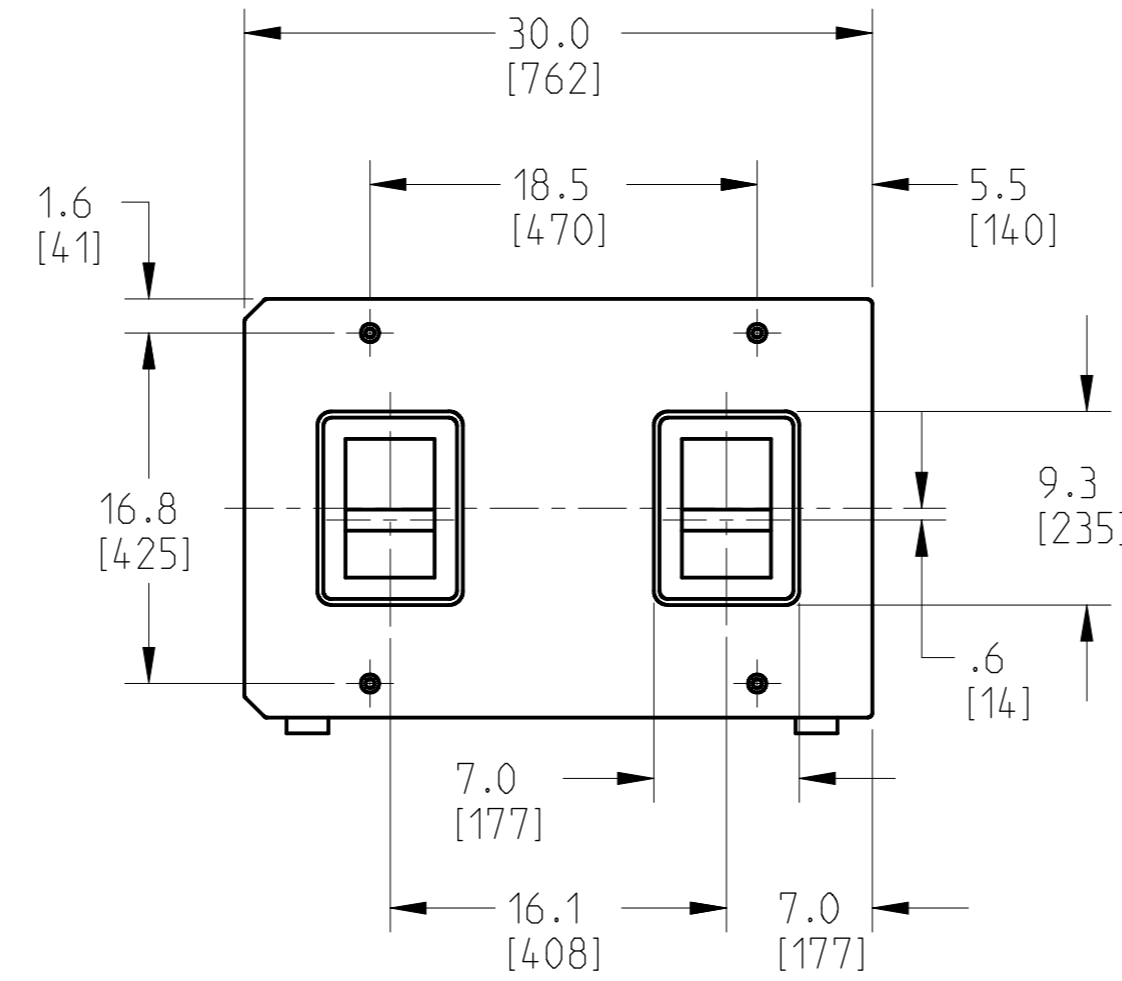
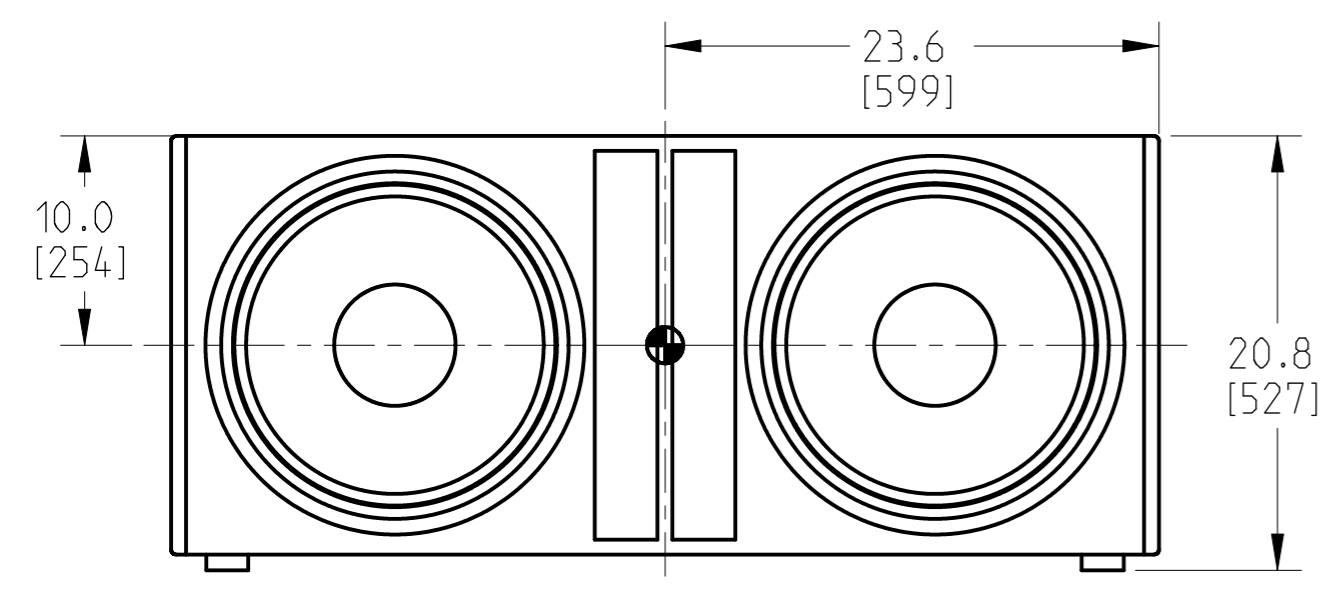
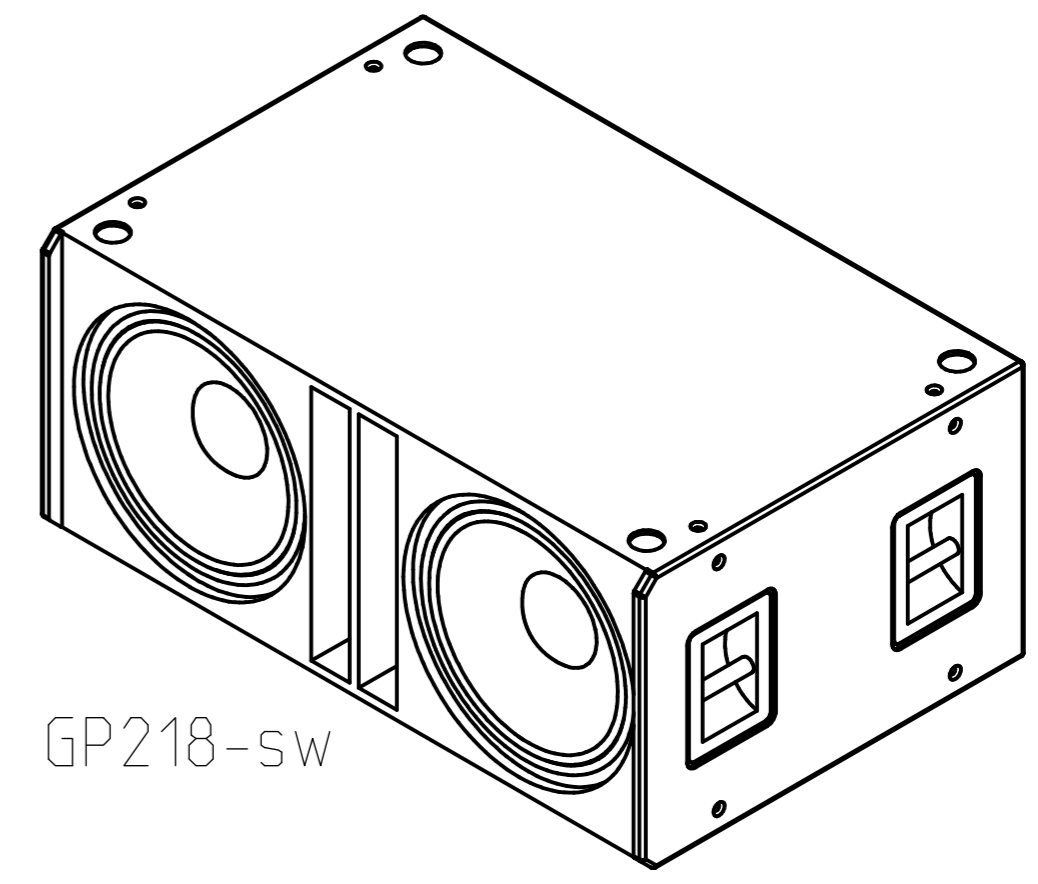
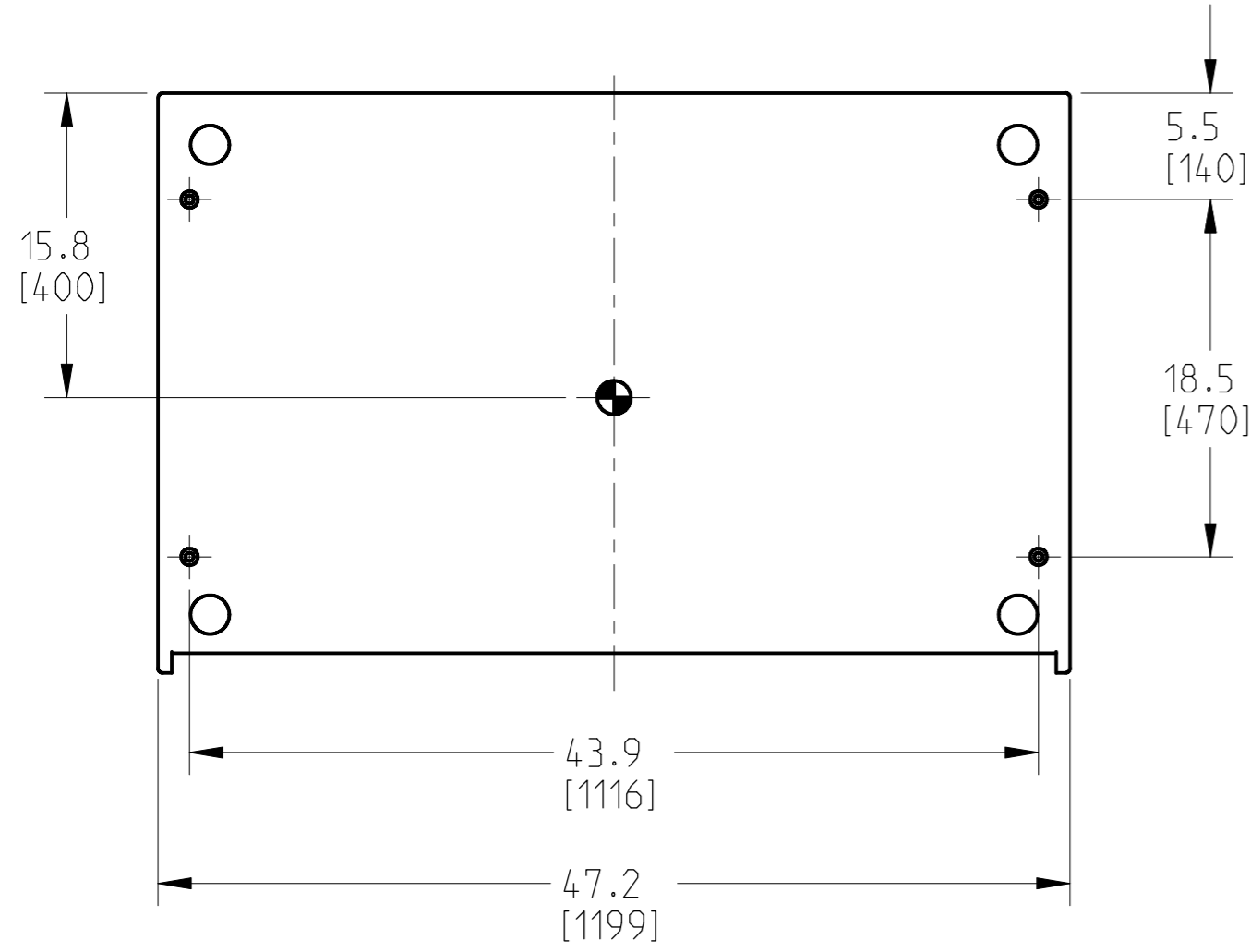


THIS DOCUMENT CONTAINS PROPRIETARY INFORMATION WHICH IS THE PROPERTY OF QSC AUDIO PRODUCTS. THAT MAY NOT BE DISCLOSED, REPRODUCED OR USED WITHOUT EXPRESS WRITTEN CONSENT FROM QSC AUDIO PRODUCTS.

REVISIONS					
REV	ECO	DESCRIPTION	BY	EFF DATE	ISSUED
A	-	RELEASE	JD	-	-



- 5. PARTS ARE SYMMETRICAL ABOUT CENTER LINES UNLESS OTHERWISE NOTED.
- 4. SYMBOL INDICATES CENTER OF BALANCE.
- 3. SYMBOL INDICATES SUSPENSION POINT, 16 TOTAL: M10-1.5 THD.
- 2. TOLERANCES (INCHES): .X ± .13, ANGLES: ± 1°.
- 1. NET WEIGHT APPROX. 191 LBS (86.6 KG)
- NOTE: UNLESS OTHERWISE SPECIFIED

UNLESS OTHERWISE SPECIFIED DIMENSIONS IN INCHES (MM) TOLERANCES ARE: DECIMALS .XX ± .02 (.51) .XXX ± .010 (.25) ± 1/2 ANGLES .XXX ± .010 (.25) ± 1/2 DEBURR EDGES .010 (.25) R MAX	APPROVALS	DATE (DD-MMM-YY)	QSC QSC AUDIO PRODUCTS, LLC 1675 MACARTHUR BOULEVARD COSTA MESA, CA 92626		
	DRAWN J. DELARM	13-MAY-12	SPEAKER, FINISHED, GP218-SW		
	CHECKED	-	SIZE	CAGE CODE	DRAWING NO.
	MFG ENG	-	C	OOPW 4	FG-002182-2D
MATERIAL	QA CHECK	-	SCALE:	0.109	DO NOT SCALE DRAWING
FINISH	DRAWING INFO: FG-002182-2D.1.4	MODEL INFO: FG-002182-3D.1.2	SHEET	1 OF 1	REV 1