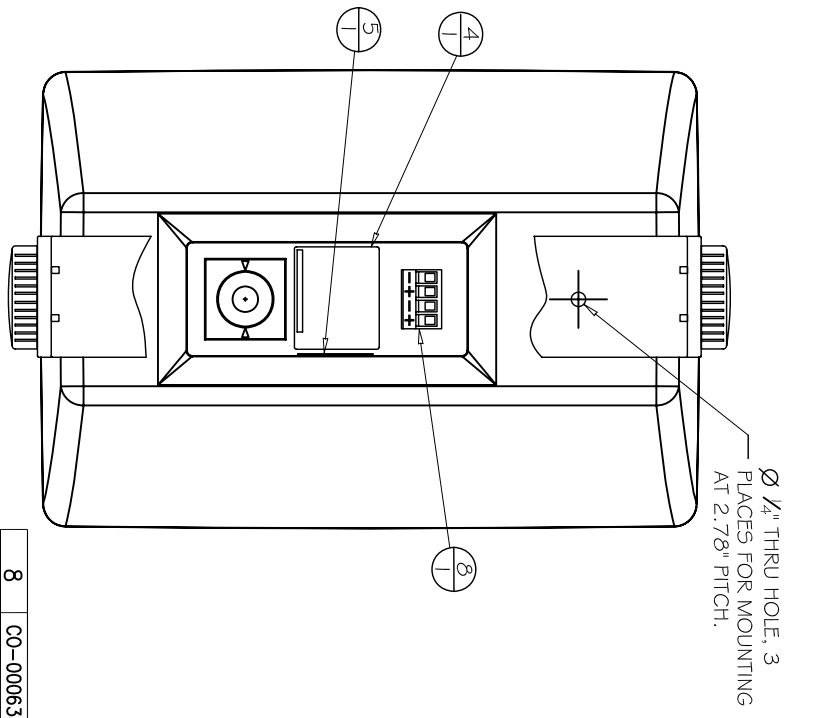
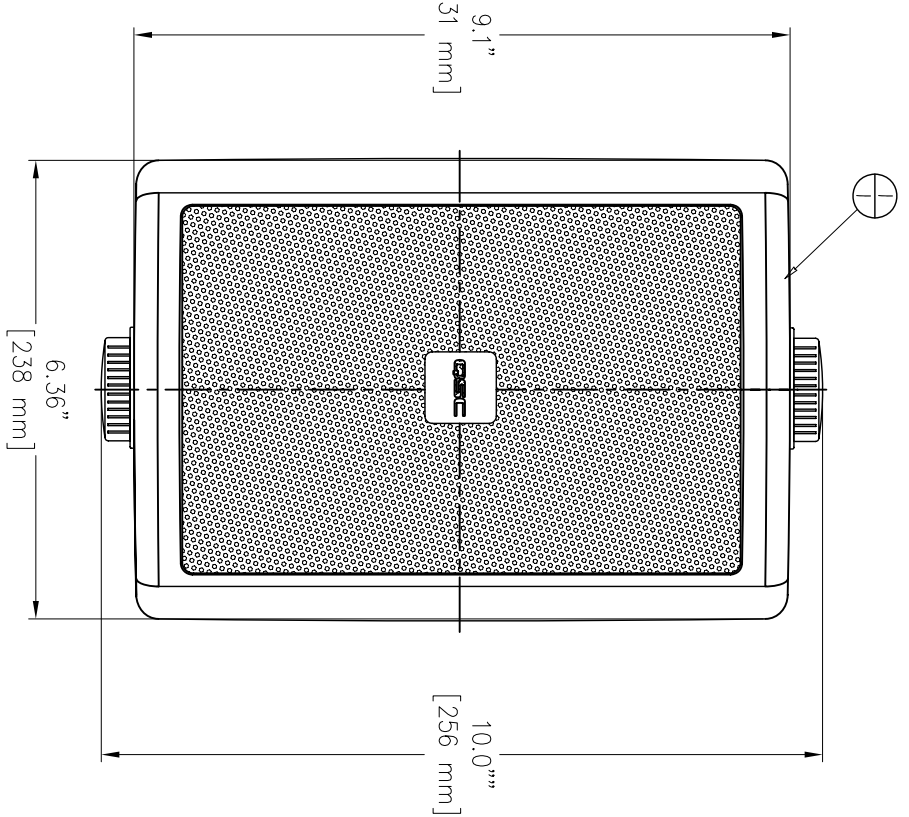
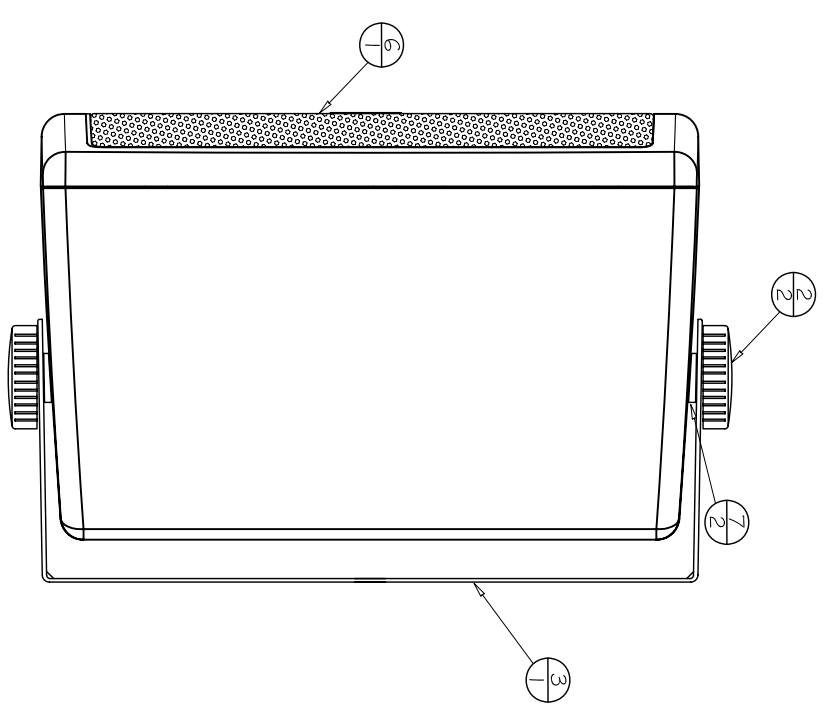
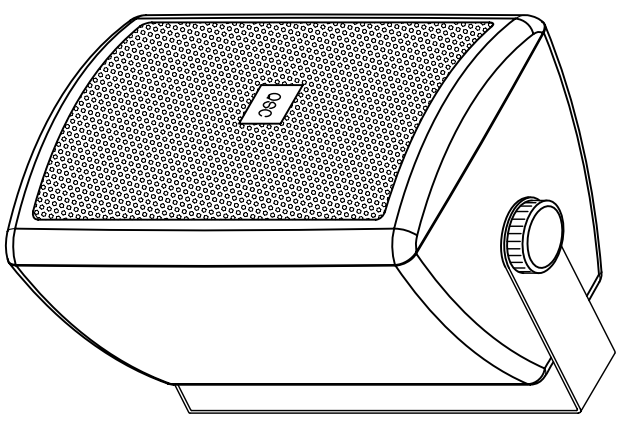
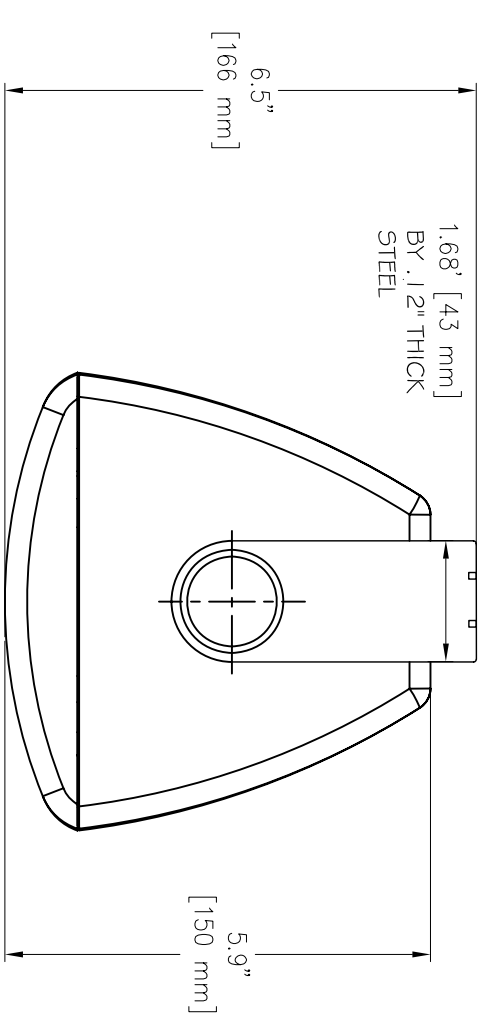


THIS DOCUMENT CONTAINS PROPRIETARY INFORMATION AND IS THE PROPERTY OF QSC AUDIO PRODUCTS. IT MAY BE REPRODUCED OR TRANSMITTED IN ANY FORM OR BY ANY MEANS, ELECTRONIC OR MECHANICAL, WITHOUT EXPRESS WRITTEN CONSENT FROM QSC AUDIO PRODUCTS.

REV	ECO	DESCRIPTION	BY	EFF DATE	ISSUED
A		PRODUCTION RELEASE	MJ	04-01-15	

REVISIONS



Ø 1/8" THRU HOLE, 3 PLACES FOR MOUNTING AT 2.78" PITCH.

SIDE VIEW

FRONT VIEW

REAR VIEW (YOKE MOUNT PARTIAL CUT)

ITEM	PART NUMBER	DESCRIPTION	QTY
8	CO-000633-00	ERU CONNECTOR, 4-POSITION, FEMALE, AC-S4T & AC-S8T	1
7	MS-000733-01	SPACER, YOKE, BLACK, AC-S4T & AC-S8T	2
6	CH-001362-XX	GRILL ASSY, AC-S4T	1
5	LB-001118-00	LABEL, DATE CODE, ODM	1
4	LB-001063-00	LABEL, PRODUCT, AC-S4T	1
3	CH-001364-XX	YOKE MOUNT, AC-S4T	1
2	PL-000798-XX	YOKE KNOB, AC-S4T & AC-S8T	2
1	WP-040044-XX	SPEAKER ASSY, AC-S4T, SURFACE W/FMR YOKE MOUNT	1

BILL OF MATERIALS

APPROVALS	DATE	DESCRIPTION
DRAWN: M. JEN	04/01/15	
CHECKED: M. JEN	04/01/15	
MFG ENG: M. JEN	04/01/15	
QA CHECK: M. JEN	04/01/15	

TOLERANCES ARE:
 MATERIAL: QSC AUDIO PRODUCTS, LLC
 1675 MACARTHUR BOULEVARD
 COSTA MESA, CA 92626

SIZE	CAGE CODE	DRAWING NO.	REV
D	00PW4	FG-040044-XX	2

3. SUPPLIER SHALL PROVIDE FIRST ARTICLE INSPECTION REPORT PER QAP-043.
 2. FINISH COLOR: -01 BLACK VERSION; -02 WHITE VERSION.
 1. ALL PARTS MUST BE ROHS COMPLIANT PER QSC RD-000160-00. SUPPLIER MUST PROVIDE A CERTIFICATE OF ROHS COMPLIANCE.
 NOTE: UNLESS OTHERWISE SPECIFIED